



**GIA**

GEOLOGICAL INSTITUTE OF AMERICA\*

5355 Armada Drive | Carlsbad, CA 92008-4602 | T: 760-603-4500 | F: 760-603-1814

**Bangkok | Carlsbad | Gaborone | Johannesburg | Mumbai | New York**



110203708862

**JOB: 75332346**

**05**

**February 06, 2012**

**GIA Report: 2141400692**

**Oval Brilliant**

**10.59 x 8.66 x 4.71 mm**

**Carat Weight: 3.02 carat**

**Color: E**

**Clarity: VVS2**

**Total Depth: 54.4%**

**Table Size: 56%**

**Girdle: Thin to Very Thick, Faceted**

**Culet: Very Large**

**Polish: Very Good**

**Symmetry: Good**

**Fluorescence: None**

**Comments: Surface graining is not shown.**

**Key to Symbols: Needle**

**The World's Foremost Authority in Gemology™**  
**www.gia.edu**



**GIA**  
**GEMOLOGICAL INSTITUTE OF AMERICA®**



**GIA**  
GEMOLOGICAL INSTITUTE OF AMERICA\*

5355 Armada Drive | Carlsbad CA 92008-4602  
T 760-603-4500 | F 760-603-1814

**GIA Laboratories**  
Bangkok Carlsbad Gaborone  
Johannesburg Mumbai New York

[www.gia.edu](http://www.gia.edu)

**DIAMOND GRADING REPORT**

February 06, 2012

Shape and Cutting Style ..... **Oval Brilliant**  
Measurements ..... 10.59 x 8.66 x 4.71 mm

GIA REPORT 2141400692

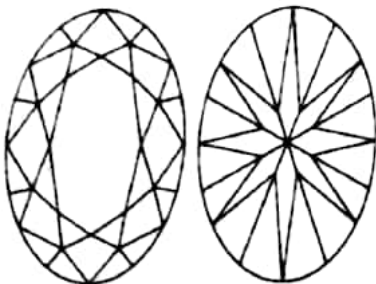
**GRADING RESULTS**

Carat Weight ..... **3.02 carat**  
Color Grade ..... **E**  
Clarity Grade ..... **VVS2**

**ADDITIONAL GRADING INFORMATION**

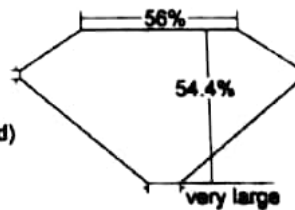
Finish  
Polish ..... **Very Good**  
Symmetry ..... **Good**  
Fluorescence ..... **None**  
Comments:  
Surface graining is not shown.

**REFERENCE DIAGRAMS**



GIA COLOR SCALE		GIA CLARITY SCALE	
COLORLESS	D	FLAWLESS	FLAWLESS
	E		INTERNAL FLAWLESS
	F		VVS <sub>1</sub>
VERY LIGHT	G	VERY SLIGHTLY INCLUDED	VVS <sub>2</sub>
	H		VS <sub>1</sub>
	I		VS <sub>2</sub>
FAINT	J	SLIGHTLY INCLUDED	SI <sub>1</sub>
	K		SI <sub>2</sub>
	L		I <sub>1</sub>
VERY LIGHT	M	INCLUDED	I <sub>2</sub>
	N		I <sub>3</sub>
	O		
TINTED	P		
	Q		
	R		
	S		
	T		
	U		
	V		
W			
X			
Y			
Z			

thin - very thick (faceted)



Profile not to actual proportions



**KEY TO SYMBOLS**

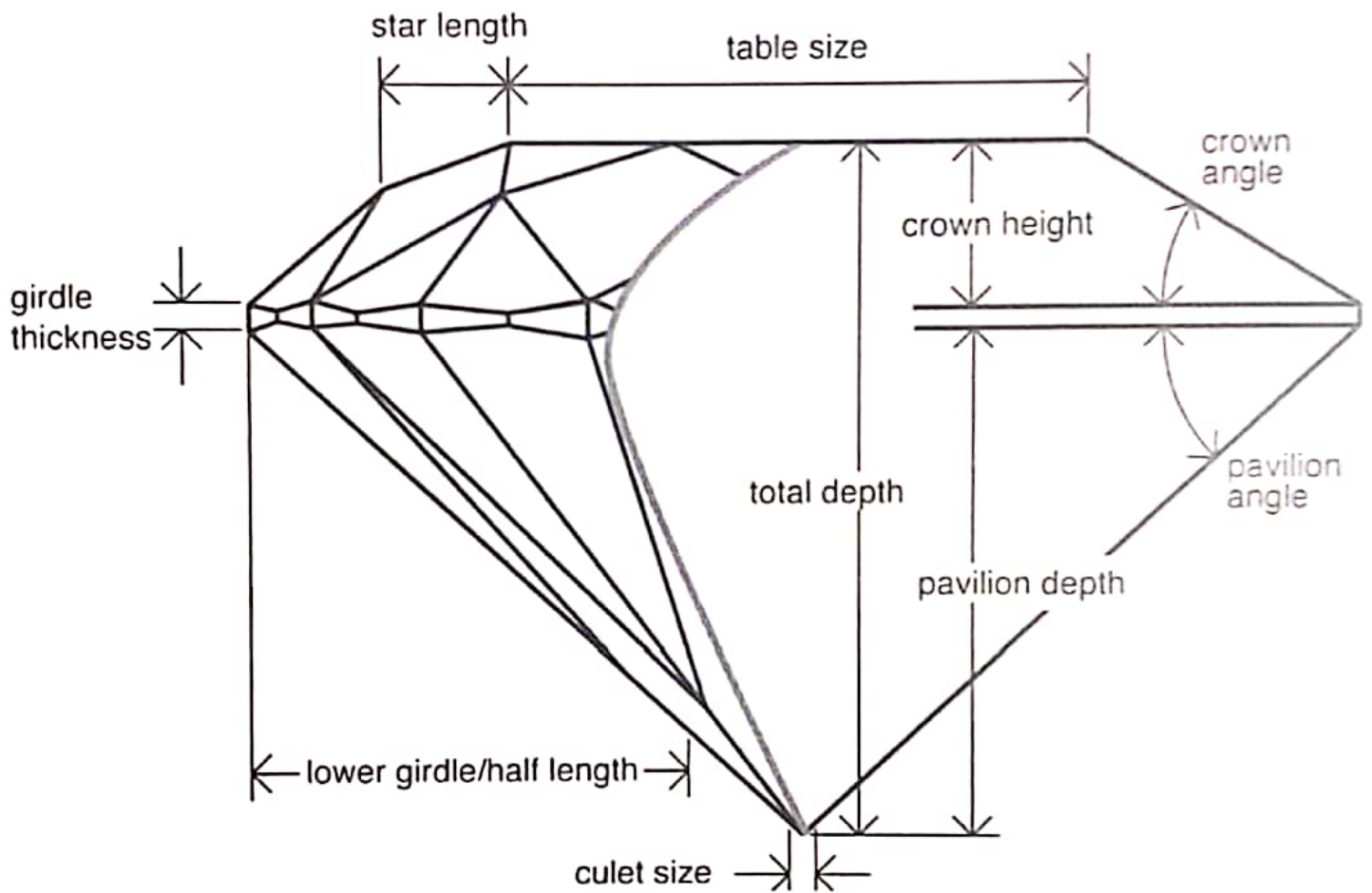
Needle

Red symbols denote internal characteristics (inclusions). Green or black symbols denote external characteristics (blemishes). Diagram is an approximate representation of the diamond, and symbols shown indicate type, position, and approximate size of clarity characteristics. All clarity characteristics may not be shown. Details of finish are not shown.

This Report is not a guarantee, valuation or appraisal and contains only the characteristics of the diamond described herein after it has been graded, tested, examined and analyzed by the laboratory providing this Report ("GIA") and/or has been inscribed using the techniques and equipment used by GIA at the time of the examination and/or inscription. Inclusions reported in this document are not a guarantee, valuation, or warranty of a diamond's quality, country of origin or source, or that the diamond will be identifiable by the inscription in the future (since inscriptions can be removed). GIA makes no representation concerning any trademark, word or symbol which is inscribed by GIA or which is identified on this Report. The recipient of this Report may wish to consult a credentialed jeweler or gemologist about the information contained herein.



**IMPORTANT LIMITATIONS ON BACK**  
©2006 GEMOLOGICAL INSTITUTE OF AMERICA, INC.



The cut appearance and quality of an individual diamond is determined by the interrelationship of *all* its proportions, not on any single proportion.